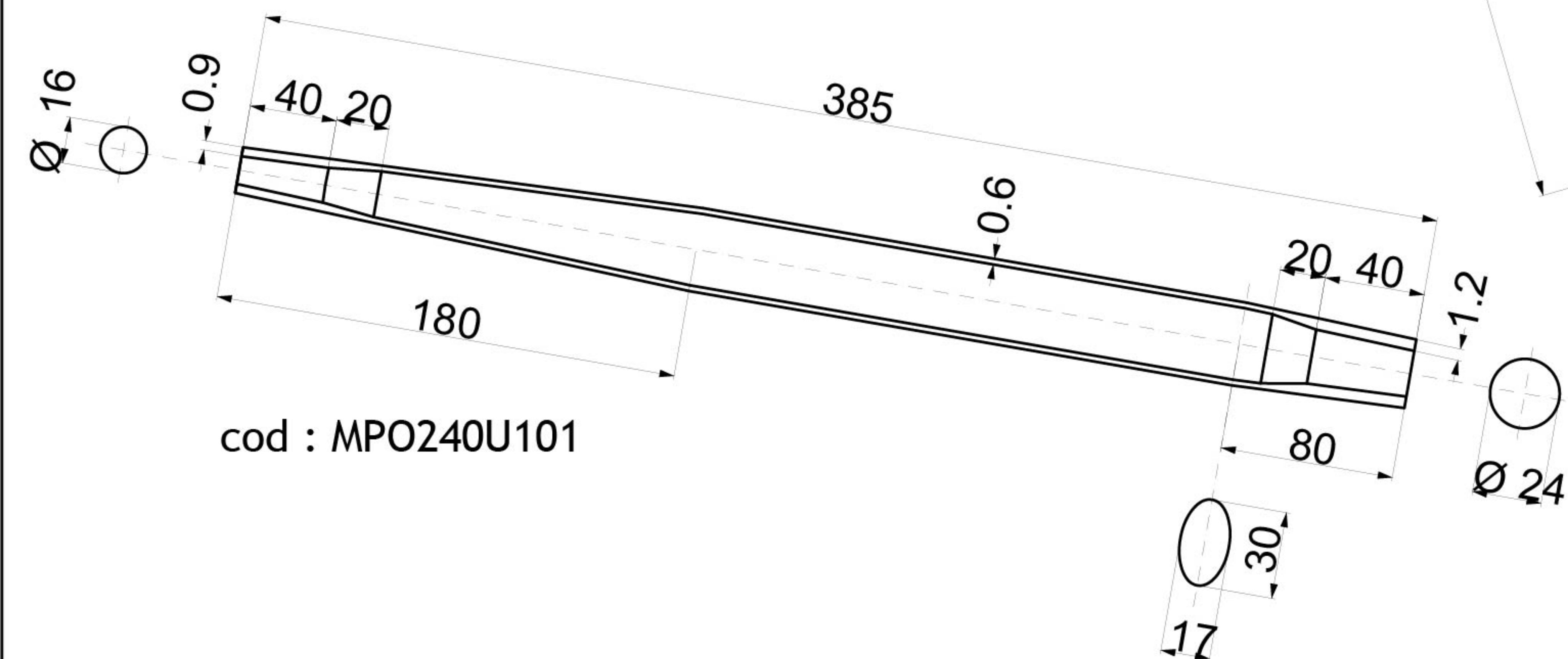
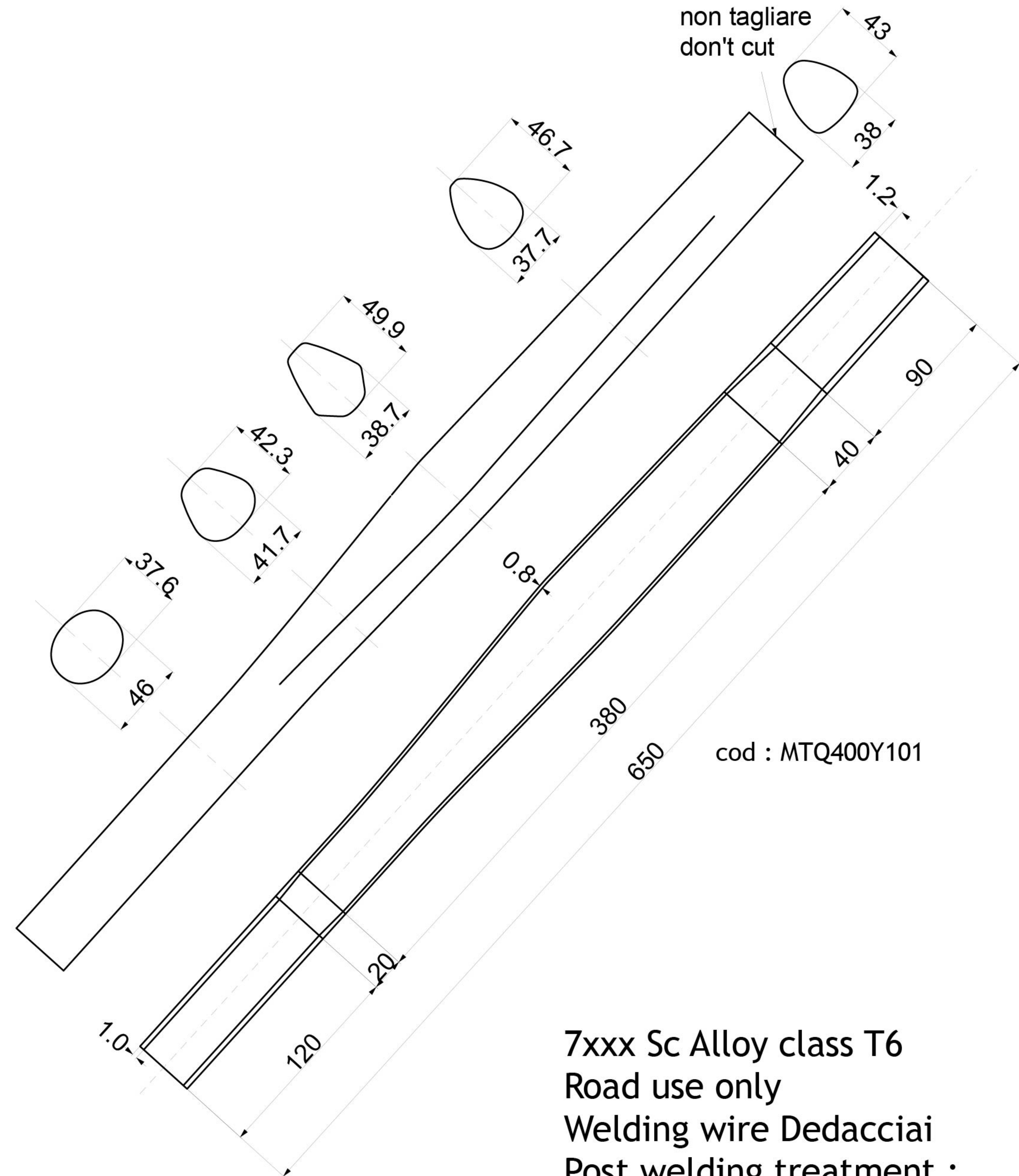
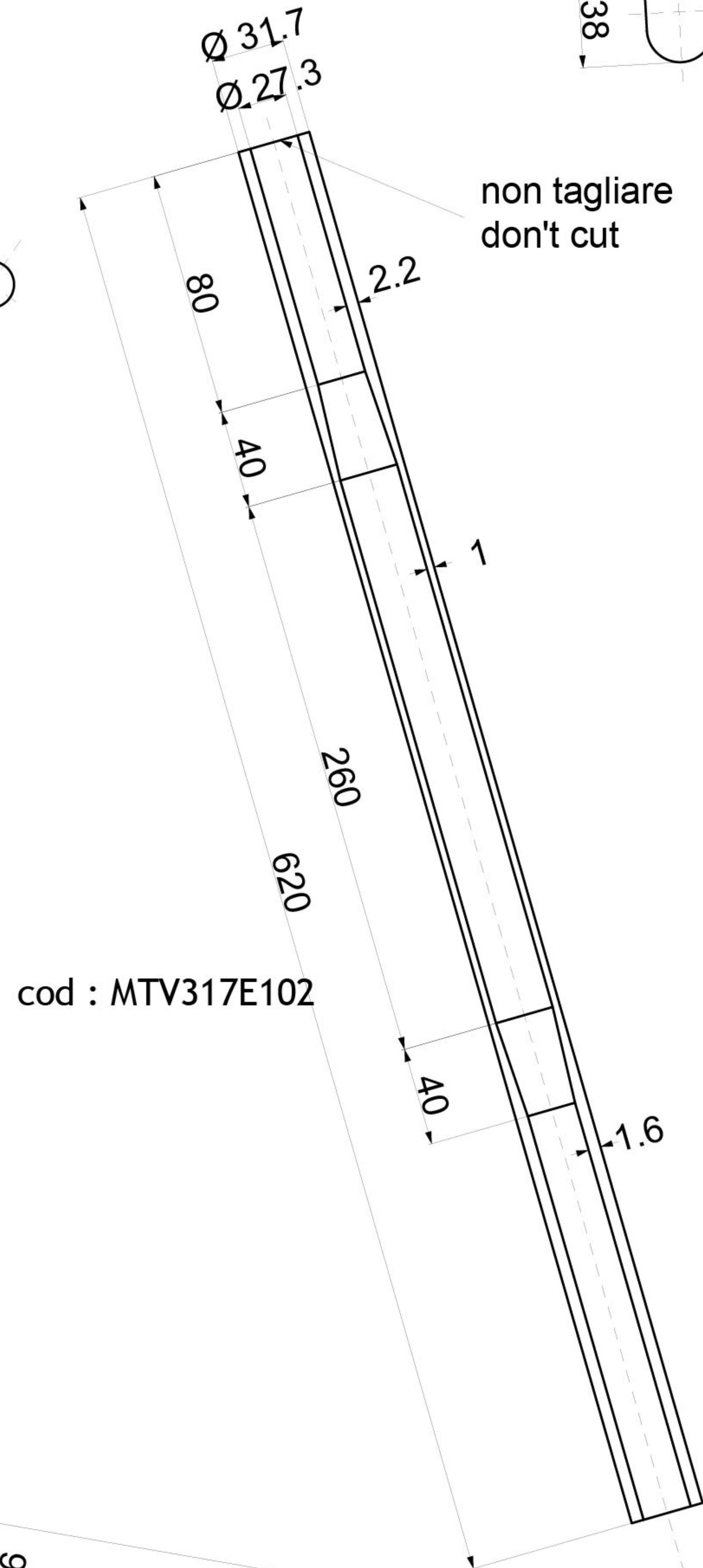
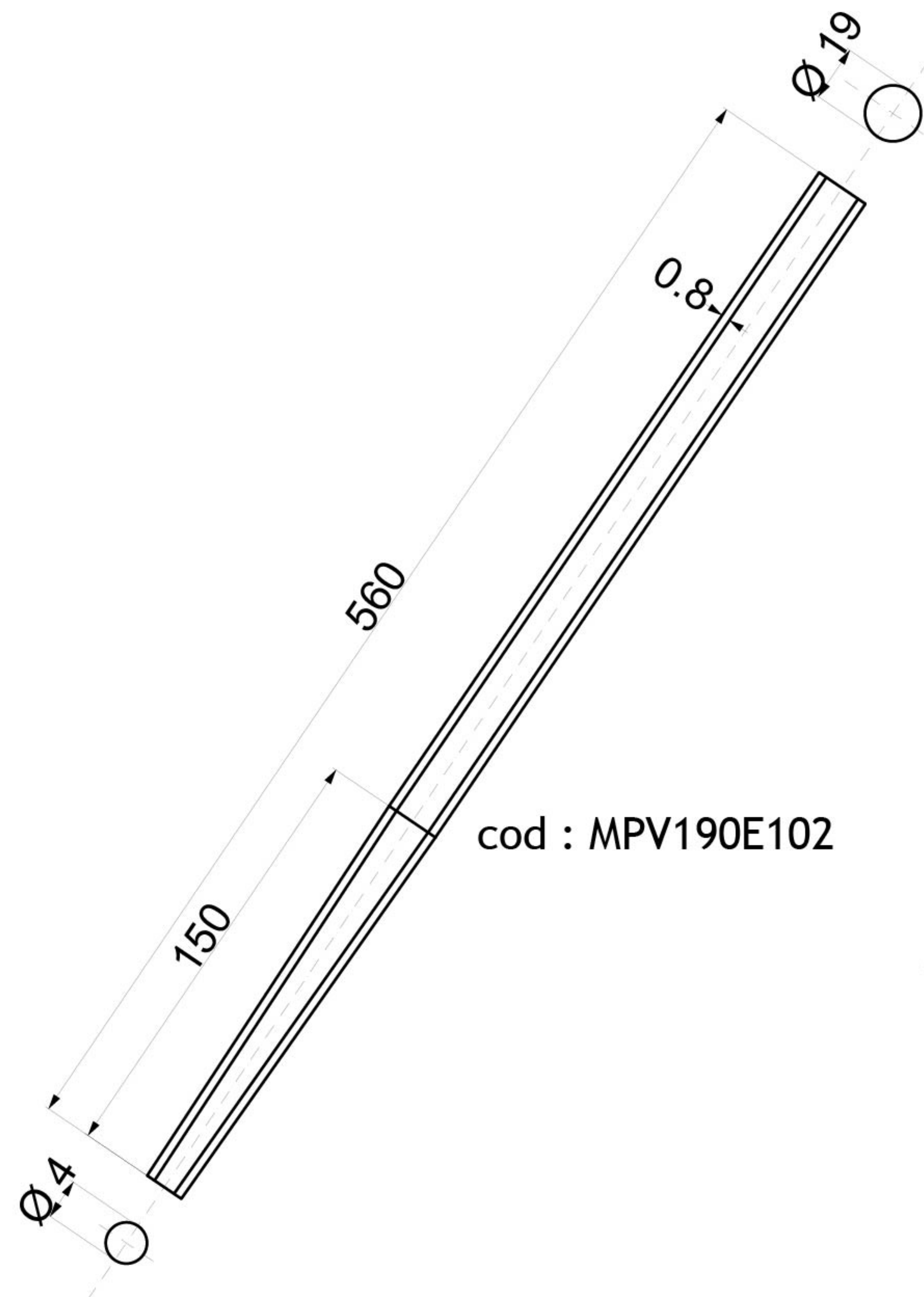
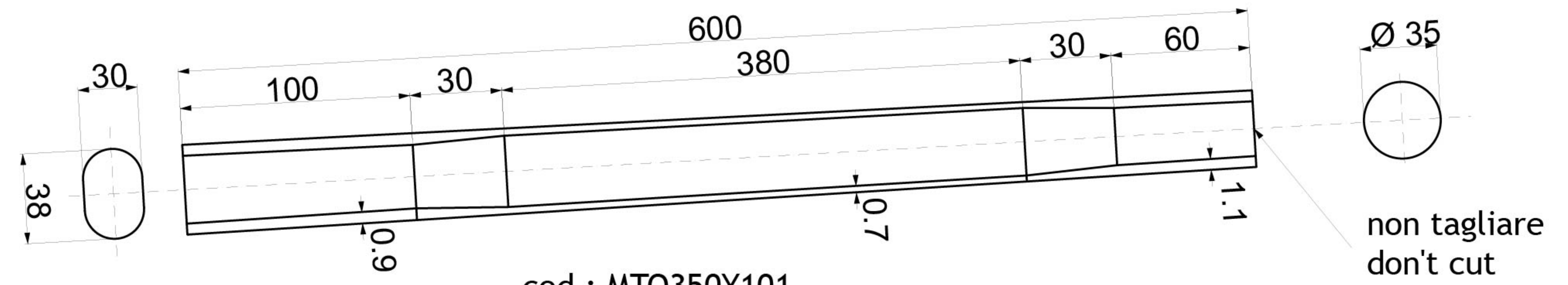


Serie / Tube set :

D 7.9 EV

Rev. 2013



7xxx Sc Alloy class T6
 Road use only
 Welding wire Dedacciai
 Post welding treatment :
 120 mm +/- 5 mm 12 / 14 hrs