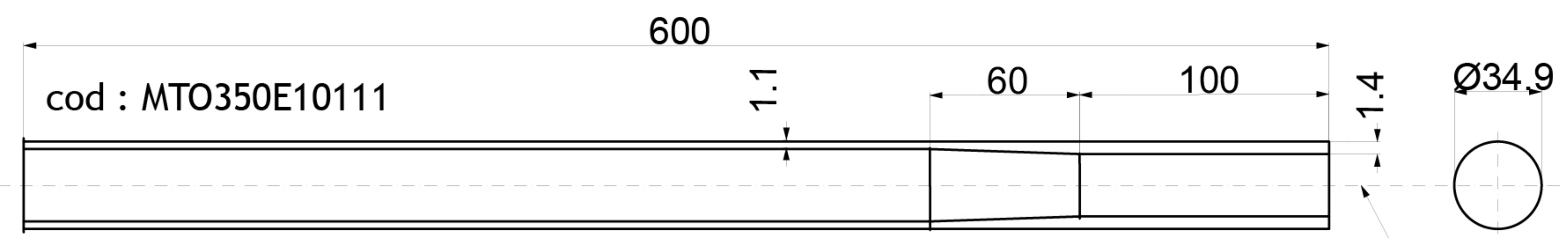


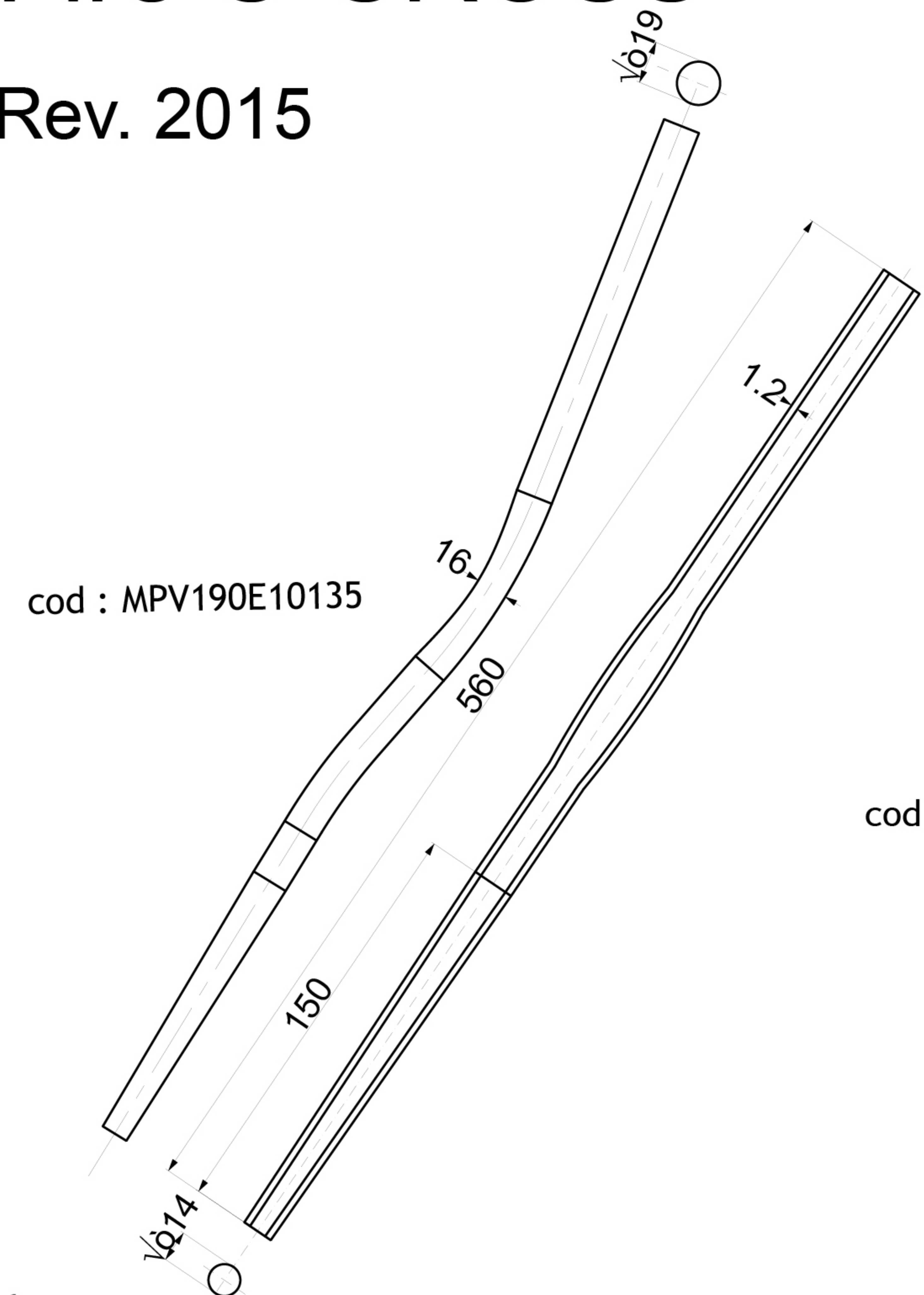
Serie / Tube set : Fire C-CROSS

Rev. 2015

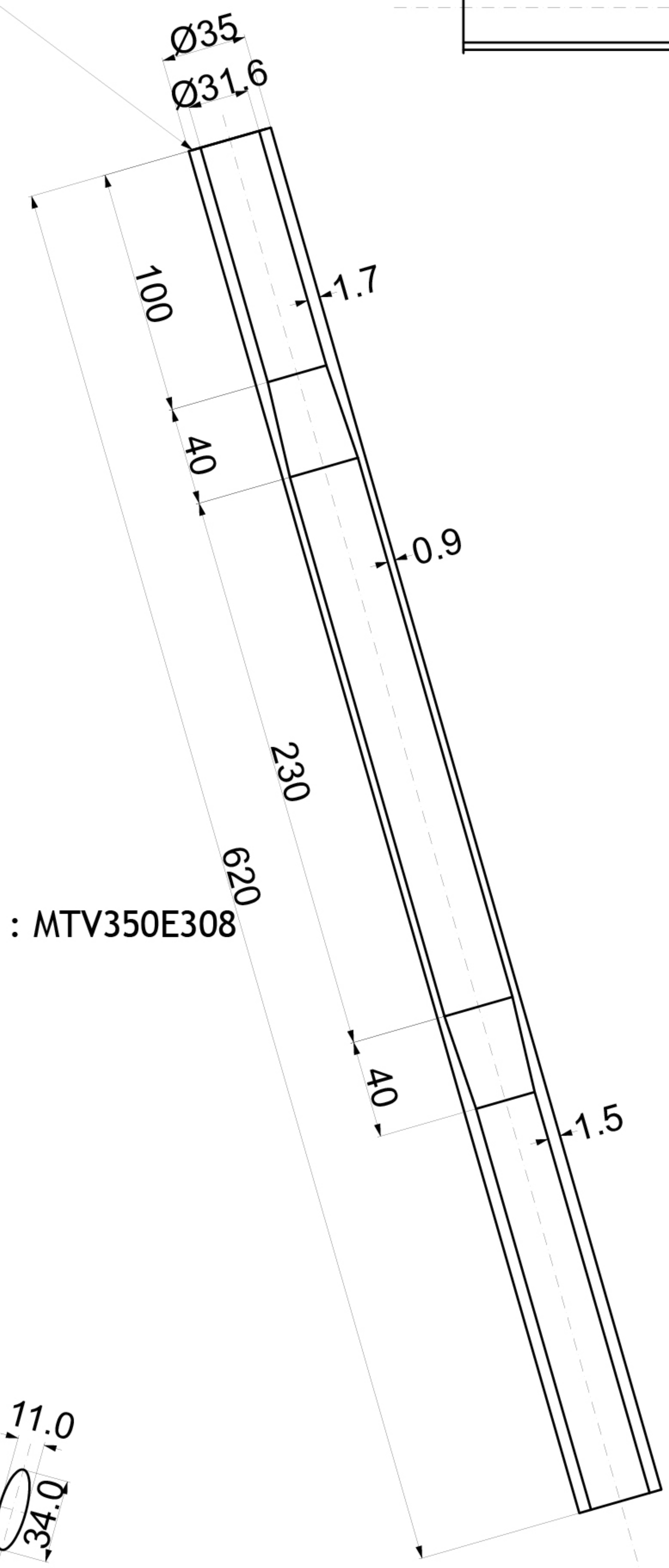
non tagliare / don't cut



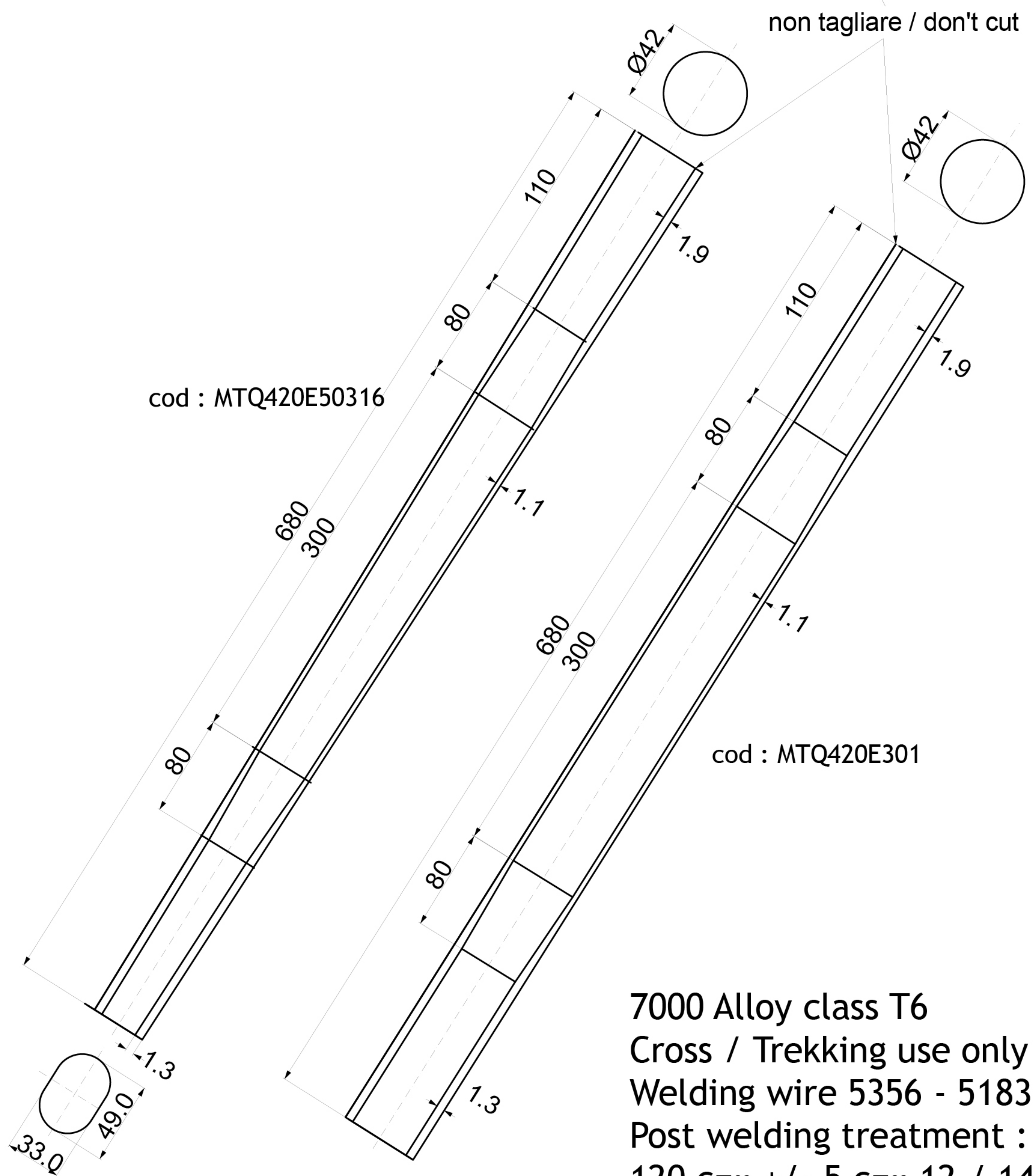
cod : MPV190E10135



cod : MTV350E308

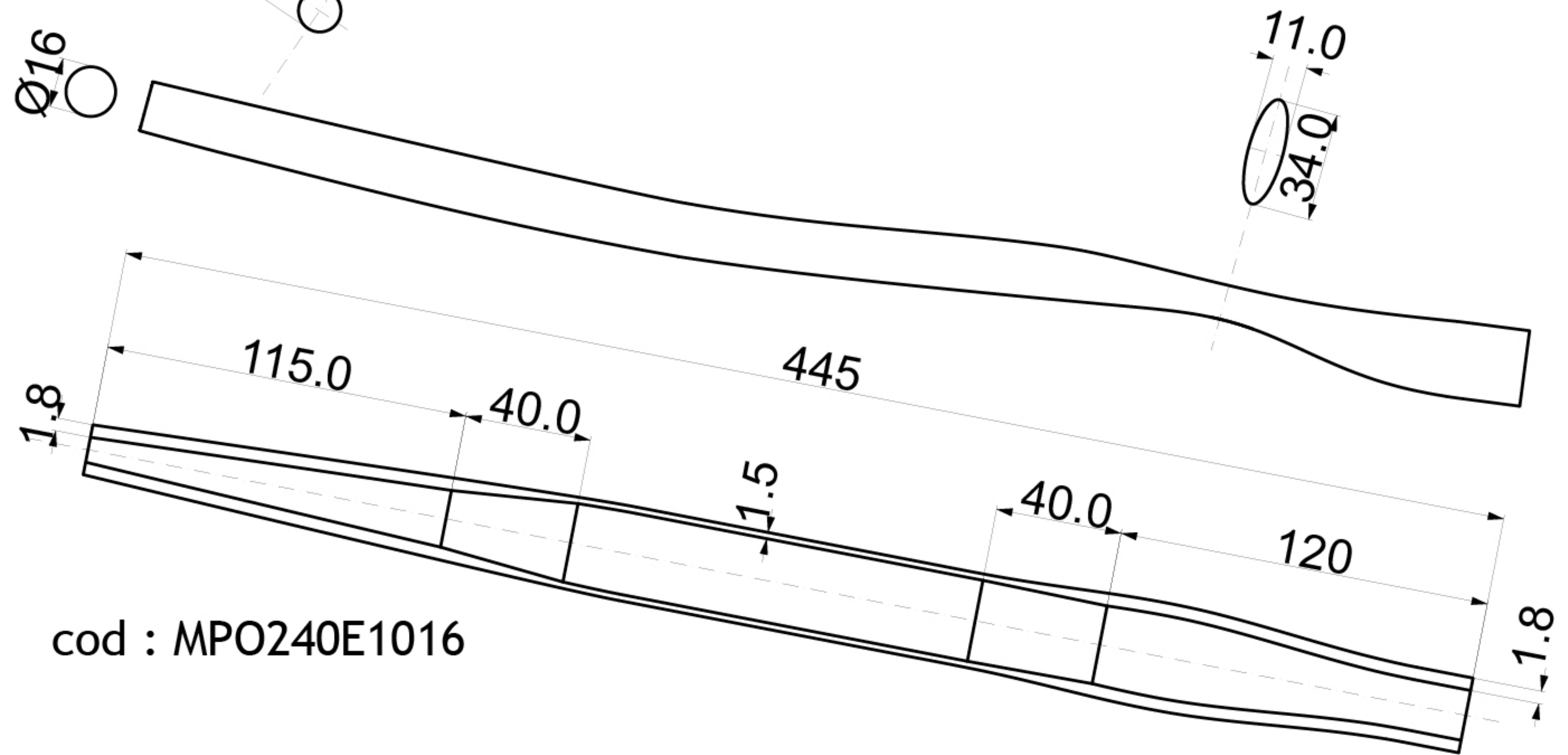


cod : MTQ420E50316



cod : MTQ420E301

cod : MPO240E1016



7000 Alloy class T6
Cross / Trekking use only
Welding wire 5356 - 5183
Post welding treatment :
120 c^{-∞} +/- 5 c^{-∞} 12 / 14 hrs