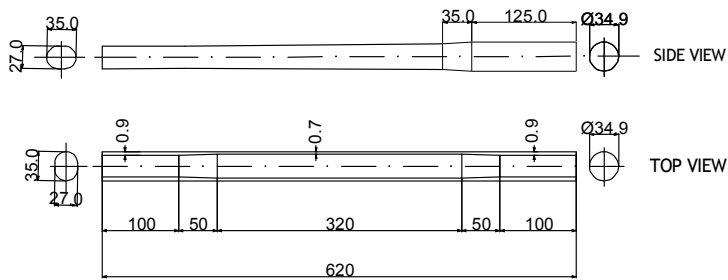
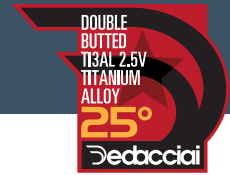




**Dedacciai** 25 TITANIUM **25°**  
1992 - 2017

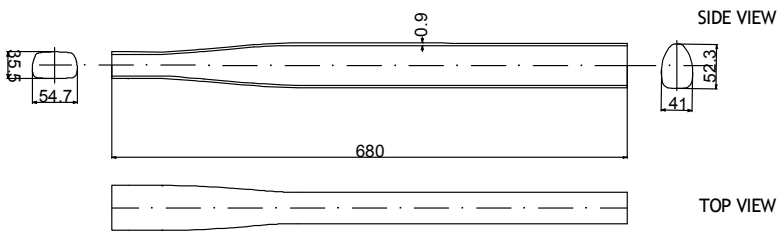
DOUBLE BUTTED  
Ti3Al 2.5V  
TITANIUM  
ALLOY  
Dedacciai

# Titanium 25° tube set



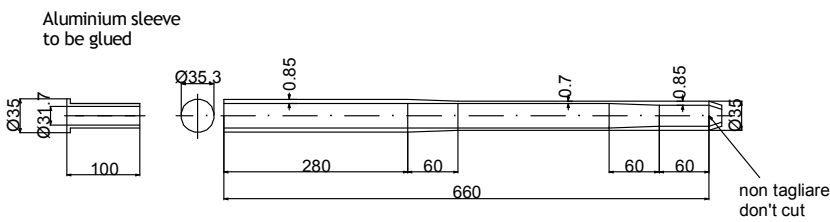
cod : MTO349T125

Grade	Weight	Use
Ti Gr.9	240 g	Road



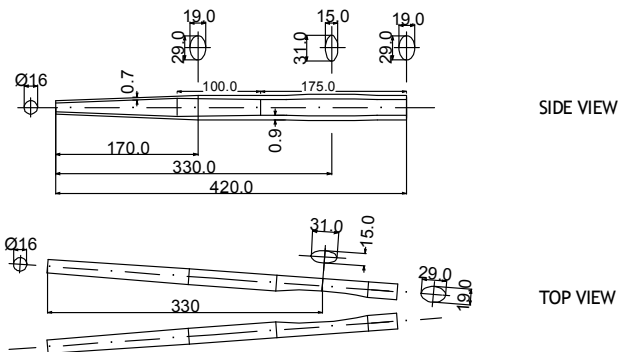
cod : MTQ480T125

Grade	Weight	Use
Ti Gr.9	440 g	Road - Cyclocross - MTB



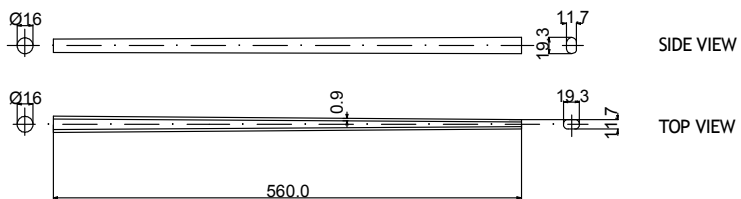
cod : MTV350T102

Grade	Weight	Use
Ti Gr.9	285 g	Road - Cyclocross - MTB



cod : MPO240T125

Grade	Weight	Use
Ti Gr.2	120 g	Road



cod : MPV160T125

Grade	Weight	Use
Ti Gr.9	105 g	Road

